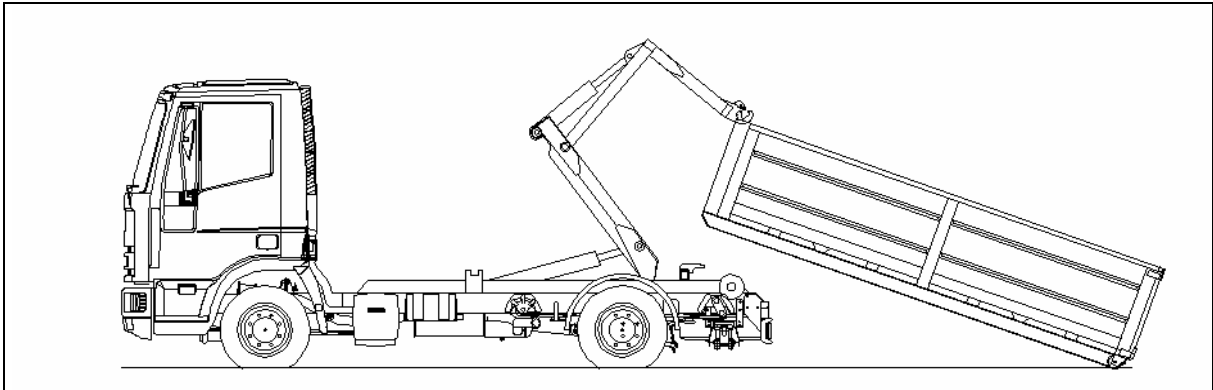




Prices & Standard Specifications

HYVALIFT "City" Hook loader



HYVALIFT / TECHNAMICS BV
Zeppelinstraat 21
NL-7903 BR HOOGEVEEN
NEDERLAND
tel: (0031)-(0)528-229850
fax: (0031)-(0)528-266211
www.hyva.com





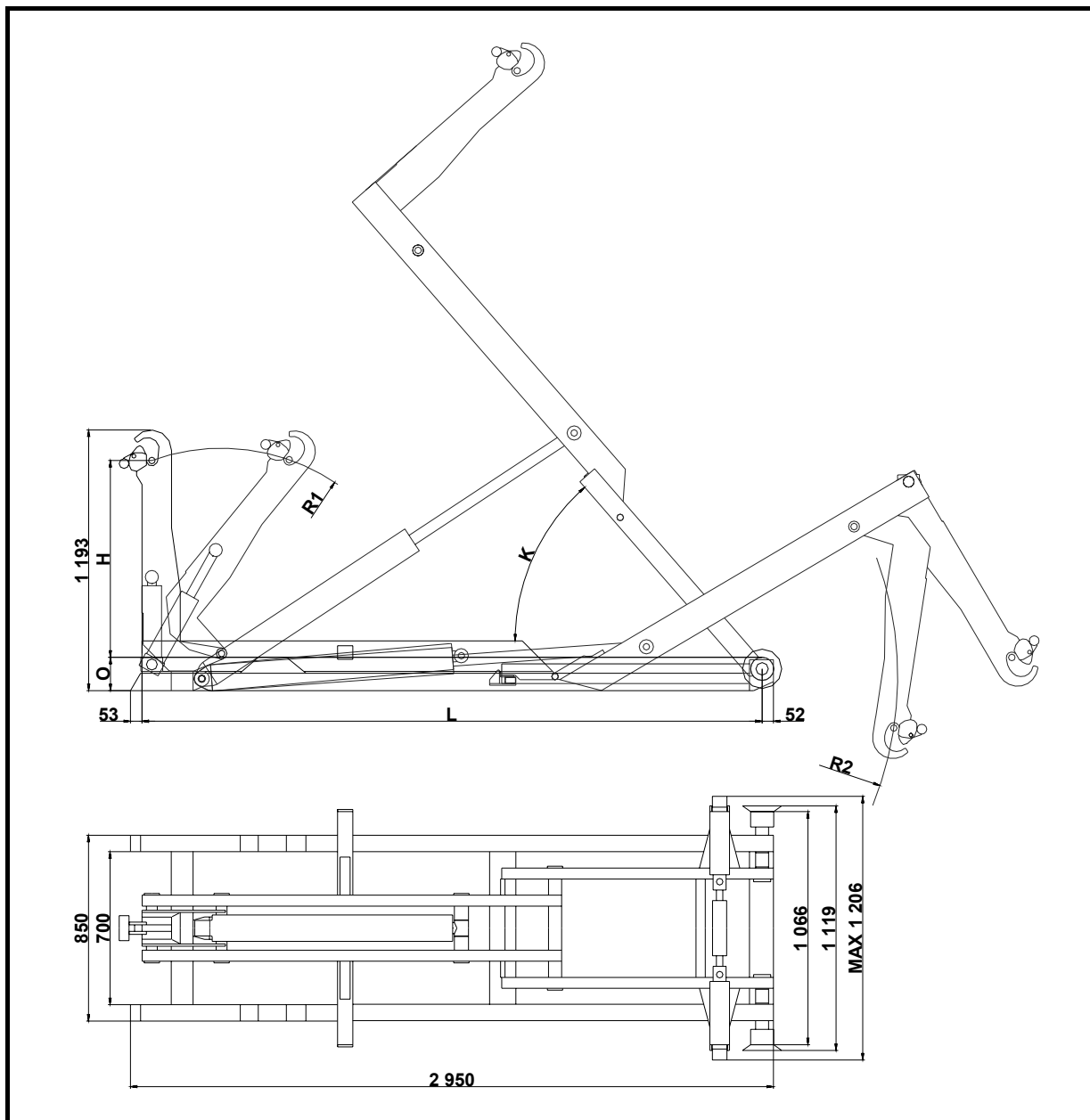
EXPORT

Specification

Specification:

All prices are valid only ex works Hoogeveen, The Netherlands, excluding applicable tax and packing. Option prices are valid only with purchase of new container systems. Some options may be incompatible with certain types of container systems or trucks. All prices, measurements, weights, capacities, etc. as described in our documentation are not binding for delivery and subject to change without notice. Price arrangements or technical information stated verbally shall not be binding. Only written quotations and written order confirmations, signed by an authorized person shall be endorsed as binding. With this pricelist all previous pricelists are ineffectual. All transactions and all contracts concluded with us are subject to the general conditions of delivery and payment (Hyva terms and conditions).

Capacity 30 kN (-K) H=900 mm Ch=800 mm

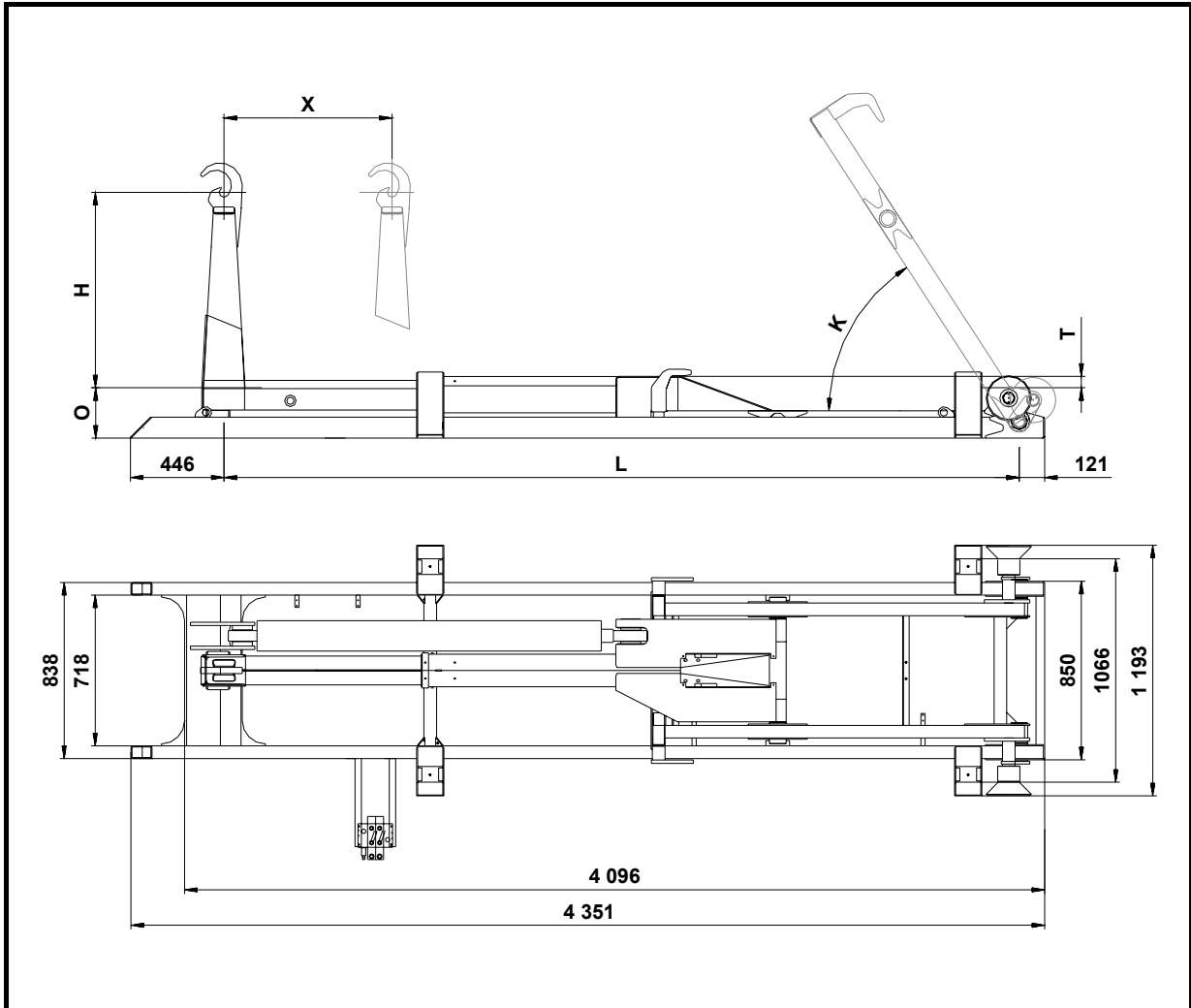


TYPE	H (mm)	O (mm)	L (mm)	K (°)	Druck (MPa)	R1 (mm)	R2 (mm)	WEIGHT (kg)	MIN./MAX. CONTAINERLENGTH (mm)
03-28-K-DIN	900	153	2 845	49	25	939	1 572	442	3 400

H = Hookheight
Ch = Chassisheight

All prices are valid only ex works Hoogeveen, The Netherlands, excluding applicable tax and packing. Option prices are valid only with purchase of new container systems. Some options may be incompatible with certain types of container systems or trucks. All prices, measurements, weights, capacities, etc. as described in our documentation are not binding for delivery and subject to change without notice. Price arrangements or technical information stated verbally shall not be binding. Only written quotations and written order confirmations, signed by an authorized person shall be endorsed as binding. With this pricelist all previous pricelists are ineffectual. All transactions and all contracts concluded with us are subject to the general conditions of delivery and payment (Hyva terms and conditions).

Capacity 60 kN (-S) H=900 mm Ch=900 mm

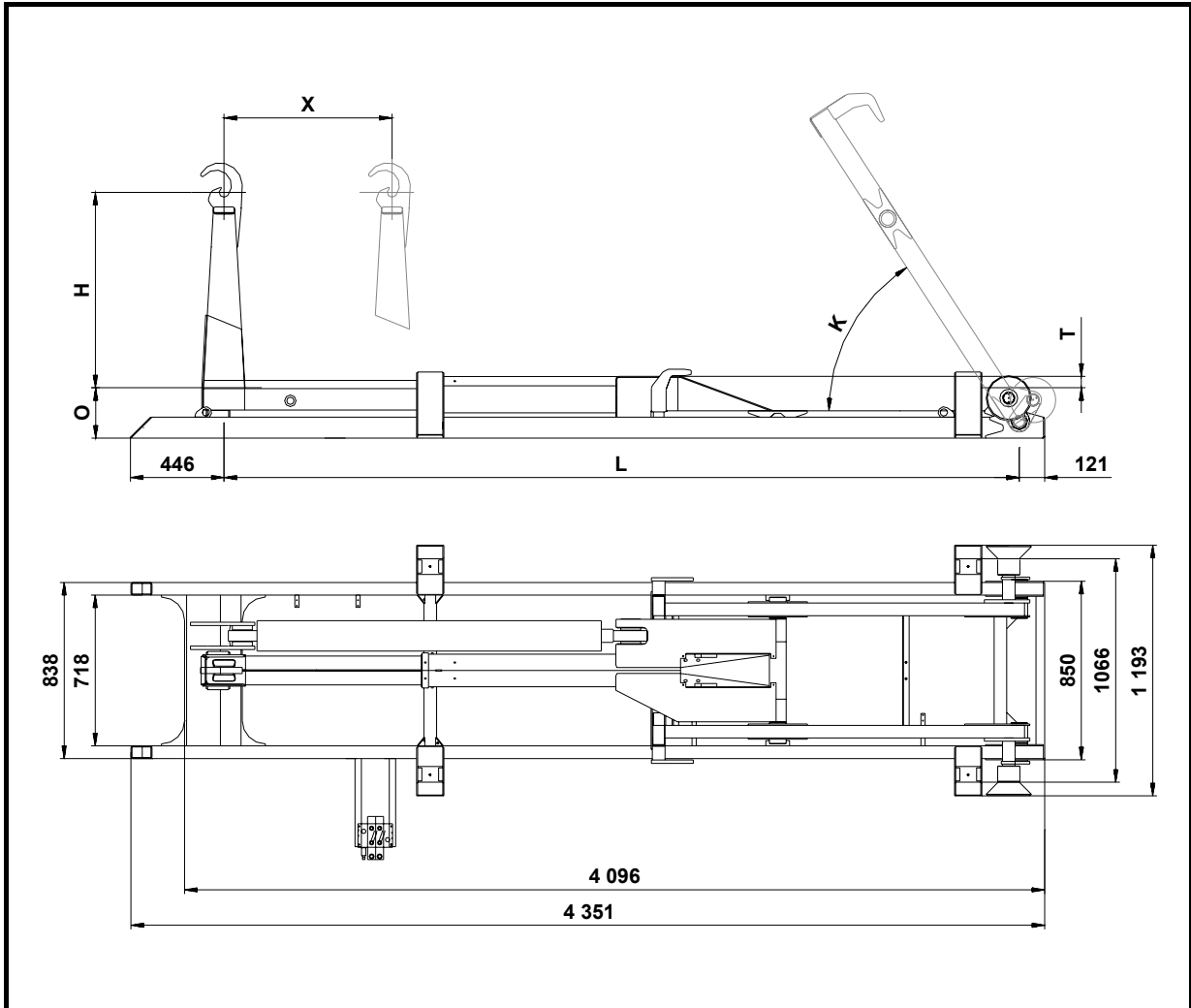


TYPE	H (mm)	X (mm)	L (mm)	O (mm)	K (°)	T (mm)	WEIGHT (kg)	MIN./MAX. CONTAINERLENGTH (mm)
06-37-S-DIN	900	800	3 787	240	57	50	810	3 750 – 4 750

H = Hookheight
Ch = Chassisheight

All prices are valid only ex works Hoogeveen, The Netherlands, excluding applicable tax and packing. Option prices are valid only with purchase of new container systems. Some options may be incompatible with certain types of container systems or trucks. All prices, measurements, weights, capacities, etc. as described in our documentation are not binding for delivery and subject to change without notice. Price arrangements or technical information stated verbally shall not be binding. Only written quotations and written order confirmations, signed by an authorized person shall be endorsed as binding. With this pricelist all previous pricelists are ineffectual. All transactions and all contracts concluded with us are subject to the general conditions of delivery and payment (Hyva terms and conditions).

Capacity 60 kN (-S) H=930 mm Ch=900 mm

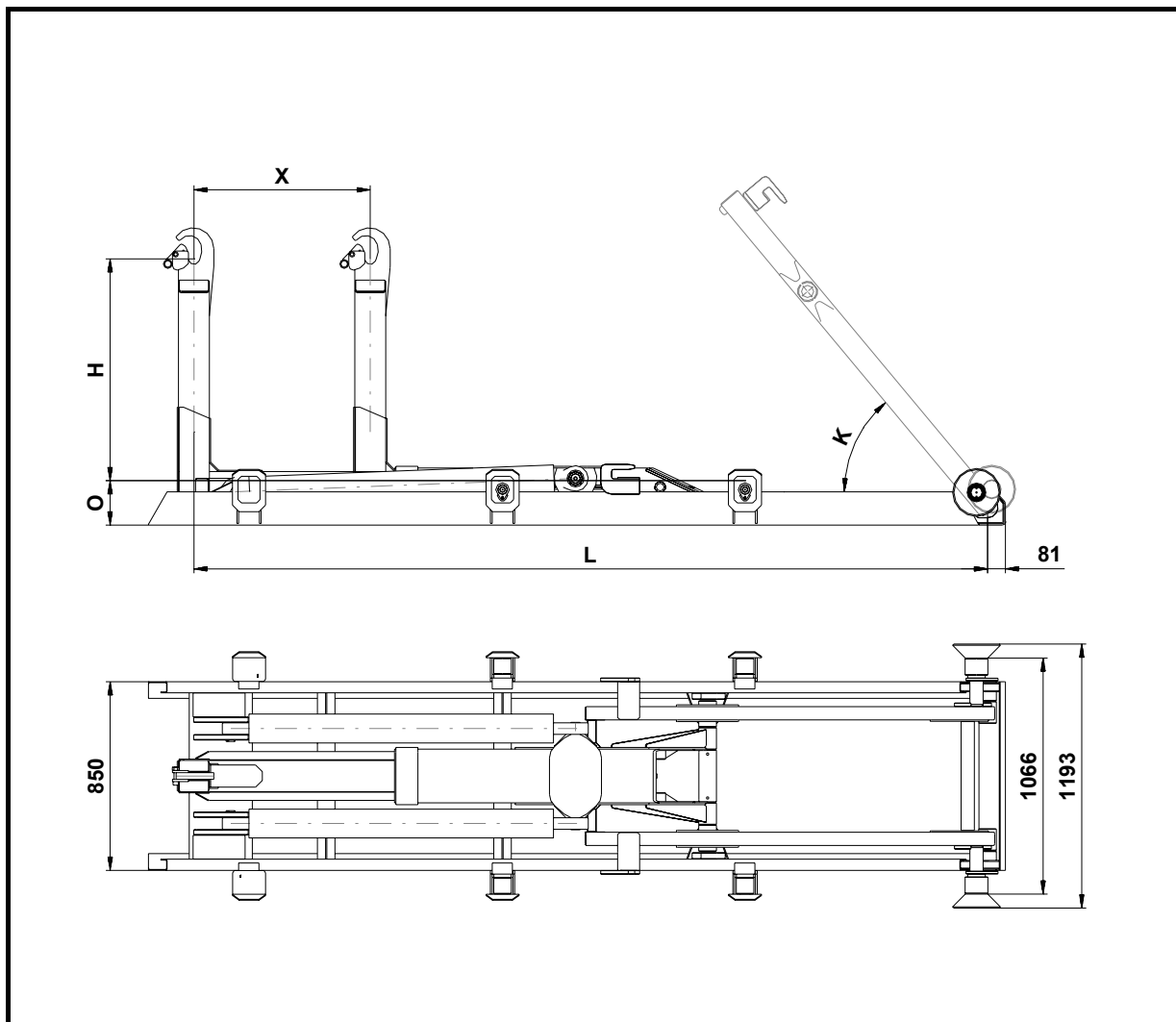


TYPE	H (mm)	X (mm)	L (mm)	O (mm)	K (°)	T (mm)	WEIGHT (kg)	MIN./MAX. CONTAINERLENGTH (mm)
06-37-S-CHEM	930	800	3 787	240	57	50	810	Type N : 3 990 Type L : 4 447

H = Hookheight
Ch = Chassisheight

All prices are valid only ex works Hoogeveen, The Netherlands, excluding applicable tax and packing. Option prices are valid only with purchase of new container systems. Some options may be incompatible with certain types of container systems or trucks. All prices, measurements, weights, capacities, etc. as described in our documentation are not binding for delivery and subject to change without notice. Price arrangements or technical information stated verbally shall not be binding. Only written quotations and written order confirmations, signed by an authorized person shall be endorsed as binding. With this pricelist all previous pricelists are ineffectual. All transactions and all contracts concluded with us are subject to the general conditions of delivery and payment (Hyva terms and conditions).

INTER-CITY : Capacity 60 kN (-S) H=900 mm Ch=900 mm



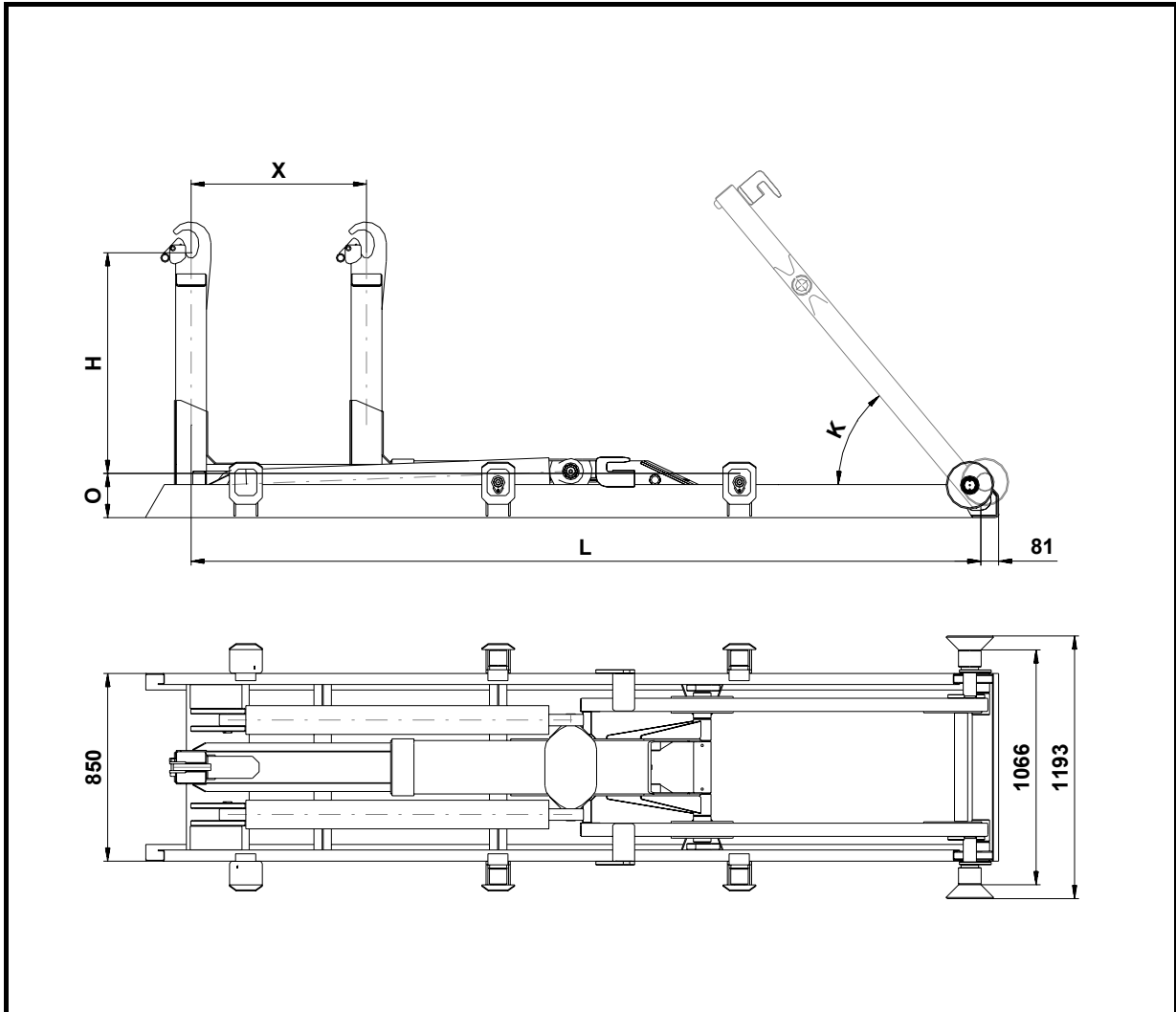
TYPE	X (mm)	L (mm)	O (mm)	K	R (mm)	T (mm)	WEIGHT (kg)	MIN./MAX. CONTAINERLENGTH (mm)
06-33	700	3300	220	50°	1756	65	916	2800-4300
06-36	800	3600	220	50°	1839	65	935	3000-4600
06-39	900	3900	220	50°	1923	65	954	3200-4900
06-42	1000	4200	220	50°	2008	65	973	3400-5200
06-45	1100	4500	220	50°	2095	65	1 020	3600-5500

H = Hookheight

Ch = Chassisheight

All prices are valid only ex works Hoogeveen, The Netherlands, excluding applicable tax and packing. Option prices are valid only with purchase of new container systems. Some options may be incompatible with certain types of container systems or trucks. All prices, measurements, weights, capacities, etc. as described in our documentation are not binding for delivery and subject to change without notice. Price arrangements or technical information stated verbally shall not be binding. Only written quotations and written order confirmations, signed by an authorized person shall be endorsed as binding. With this pricelist all previous pricelists are ineffectual. All transactions and all contracts concluded with us are subject to the general conditions of delivery and payment (Hyva terms and conditions).

INTER-CITY : Capacity 60 kN (-S) H=930 mm Ch=900 mm

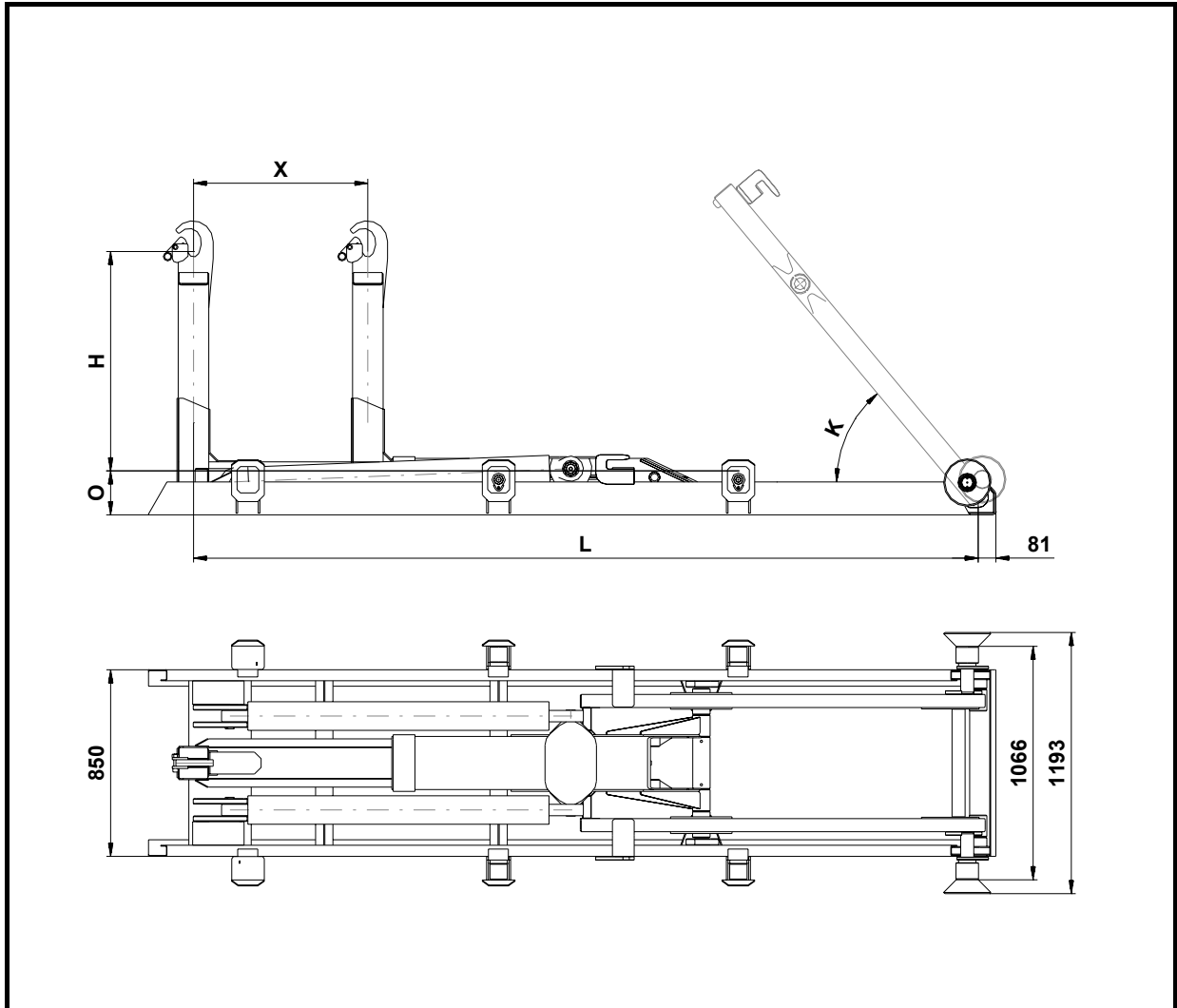


TYPE	X (mm)	L (mm)	O (mm)	K	R (mm)	T (mm)	WEIGHT (kg)	MIN./MAX. CONTAINERLENGTH (mm)
06-33	700	3300	220	50°	1774	65	916	2800-4300
06-36	800	3600	220	50°	1855	65	935	3000-4600
06-39	900	3900	220	50°	1939	65	954	3200-4900
06-42	1000	4200	220	50°	2024	65	973	3400-5200
06-45	1100	4500	220	50°	2110	65	1 020	3600-5500

H = Hookheight
Ch = Chassisheight

All prices are valid only ex works Hoogeveen, The Netherlands, excluding applicable tax and packing. Option prices are valid only with purchase of new container systems. Some options may be incompatible with certain types of container systems or trucks. All prices, measurements, weights, capacities, etc. as described in our documentation are not binding for delivery and subject to change without notice. Price arrangements or technical information stated verbally shall not be binding. Only written quotations and written order confirmations, signed by an authorized person shall be endorsed as binding. With this pricelist all previous pricelists are ineffectual. All transactions and all contracts concluded with us are subject to the general conditions of delivery and payment (Hyva terms and conditions).

INTER-CITY : Capacity 60 kN (-S) H=1000 mm Ch=900 mm

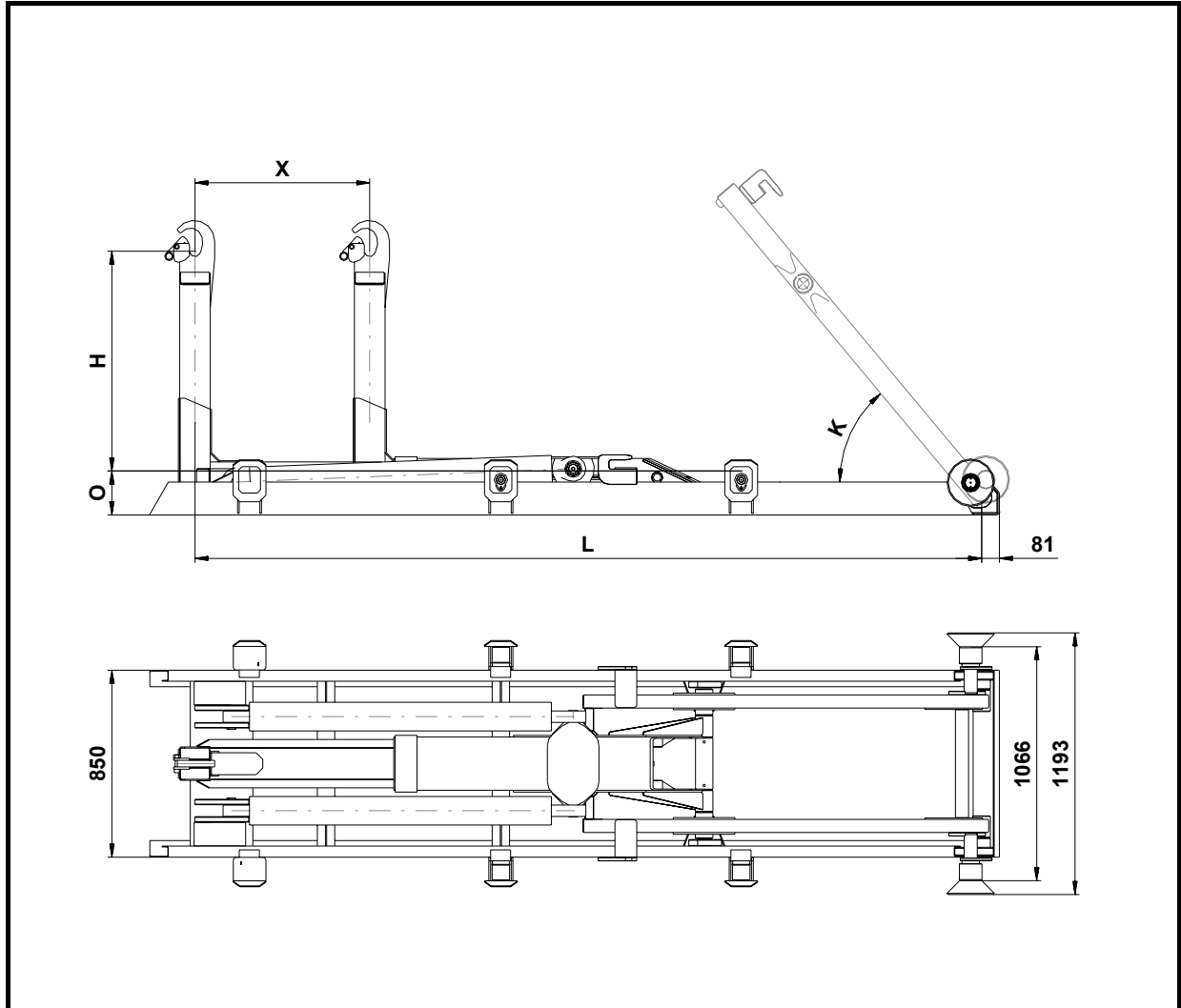


TYPE	X (mm)	L (mm)	O (mm)	K	R (mm)	T (mm)	WEIGHT (kg)	MIN./MAX. CONTAINERLENGTH (mm)
06-33	700	3300	220	50°	1816	65	916	2800-4300
06-36	800	3600	220	50°	1896	65	935	3000-4600
06-39	900	3900	220	50°	1978	65	954	3200-4900
06-42	1000	4200	220	50°	2001	65	973	3400-5200
06-45	1100	4500	220	50°	2146	65	1 020	3600-5500

H = Hookheight
Ch = Chassisheight

All prices are valid only ex works Hoogeveen, The Netherlands, excluding applicable tax and packing. Option prices are valid only with purchase of new container systems. Some options may be incompatible with certain types of container systems or trucks. All prices, measurements, weights, capacities, etc. as described in our documentation are not binding for delivery and subject to change without notice. Price arrangements or technical information stated verbally shall not be binding. Only written quotations and written order confirmations, signed by an authorized person shall be endorsed as binding. With this pricelist all previous pricelists are ineffectual. All transactions and all contracts concluded with us are subject to the general conditions of delivery and payment (Hyva terms and conditions).

INTER-CITY : Capacity 60 kN (-S) H=1190 mm Ch=900 mm

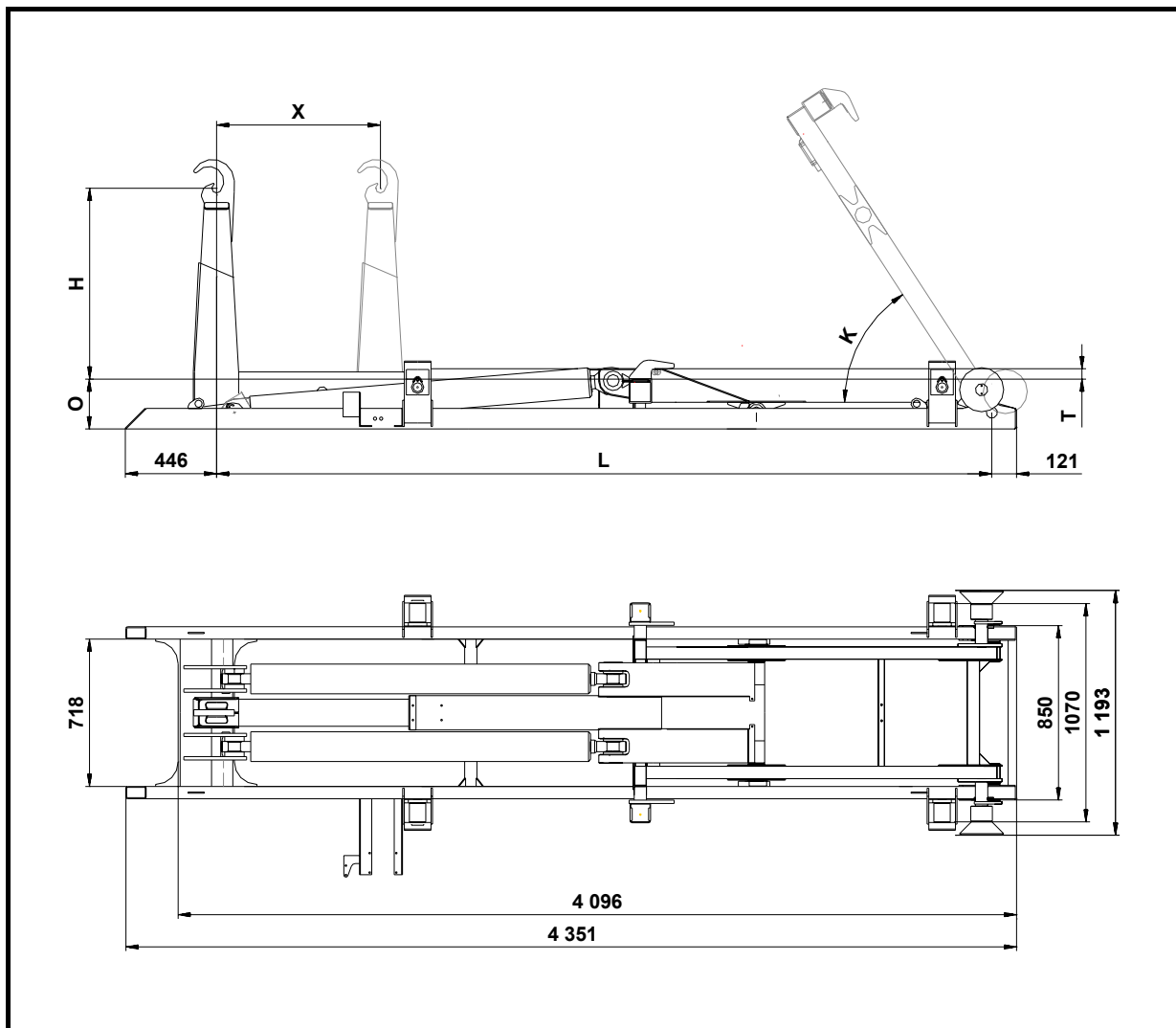


TYPE	X (mm)	L (mm)	O (mm)	K	R (mm)	T (mm)	WEIGHT (kg)	MIN./MAX. CONTAINERLENGTH (mm)
06-33	700	3300	220	50°	1946	65	916	2800-4300
06-36	800	3600	220	50°	2020	65	935	3000-4600
06-39	900	3900	220	50°	2097	65	954	3200-4900
06-42	1000	4200	220	50°	2176	65	973	3400-5200
06-45	1100	4500	220	50°	2256	65	1 020	3600-5500

H = Hookheight
Ch = Chassisheight

All prices are valid only ex works Hoogeveen, The Netherlands, excluding applicable tax and packing. Option prices are valid only with purchase of new container systems. Some options may be incompatible with certain types of container systems or trucks. All prices, measurements, weights, capacities, etc. as described in our documentation are not binding for delivery and subject to change without notice. Price arrangements or technical information stated verbally shall not be binding. Only written quotations and written order confirmations, signed by an authorized person shall be endorsed as binding. With this pricelist all previous pricelists are ineffectual. All transactions and all contracts concluded with us are subject to the general conditions of delivery and payment (Hyva terms and conditions).

Capacity 80 kN (-S) H=900 mm Ch=900 mm

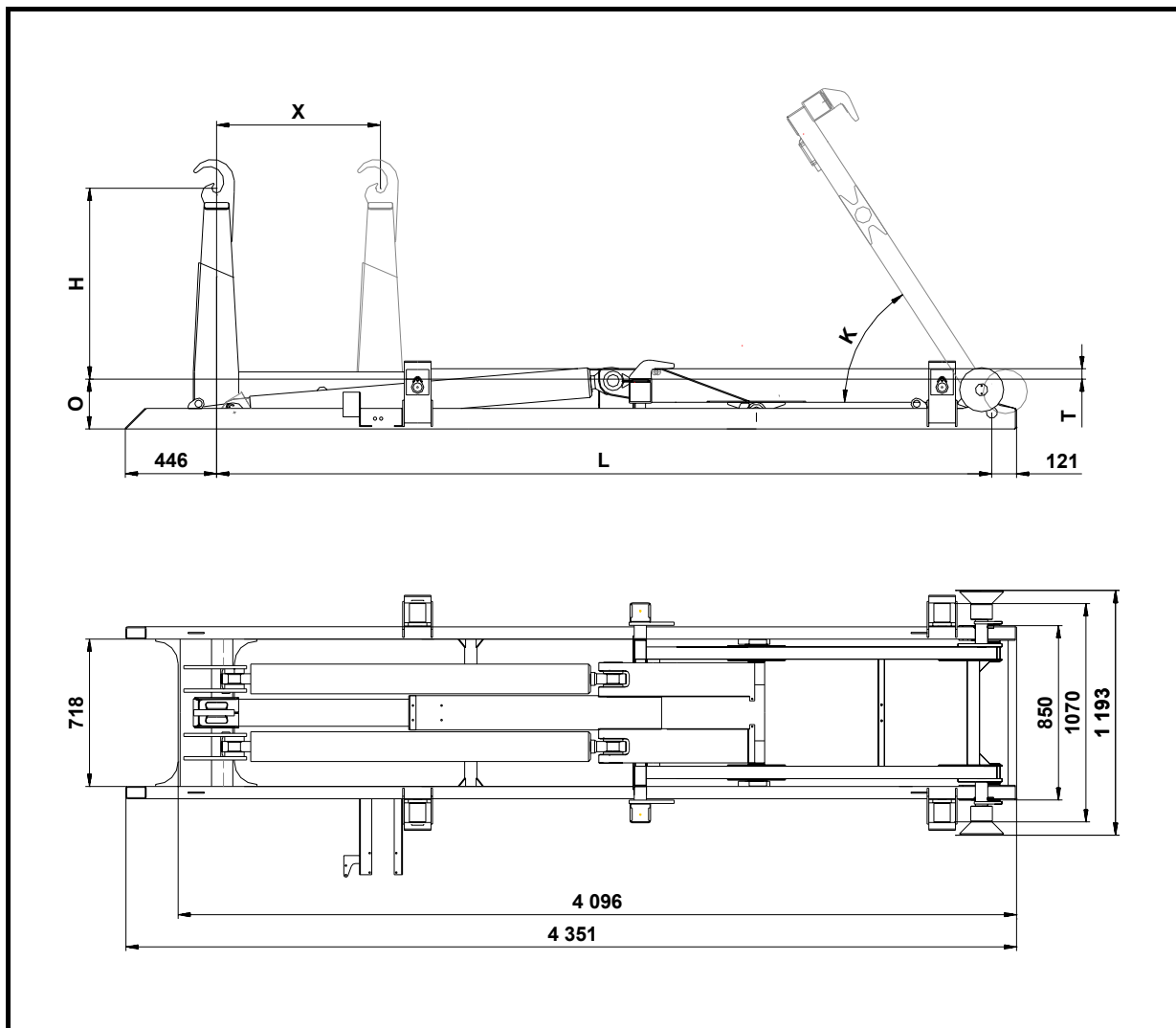


TYPE	H (mm)	X (mm)	L (mm)	O (mm)	K (°)	T (mm)	WEIGHT (kg)	MIN./MAX. CONTAINERLENGTH (mm)
08-37-S-DIN	900	800	3787	243	57	50	1020	3750 - 4750

H = Hookheight
Ch = Chassisheight

All prices are valid only ex works Hoogeveen, The Netherlands, excluding applicable tax and packing. Option prices are valid only with purchase of new container systems. Some options may be incompatible with certain types of container systems or trucks. All prices, measurements, weights, capacities, etc. as described in our documentation are not binding for delivery and subject to change without notice. Price arrangements or technical information stated verbally shall not be binding. Only written quotations and written order confirmations, signed by an authorized person shall be endorsed as binding. With this pricelist all previous pricelists are ineffectual. All transactions and all contracts concluded with us are subject to the general conditions of delivery and payment (Hyva terms and conditions).

Capacity 80 kN (-S) H=930 mm Ch=900 mm

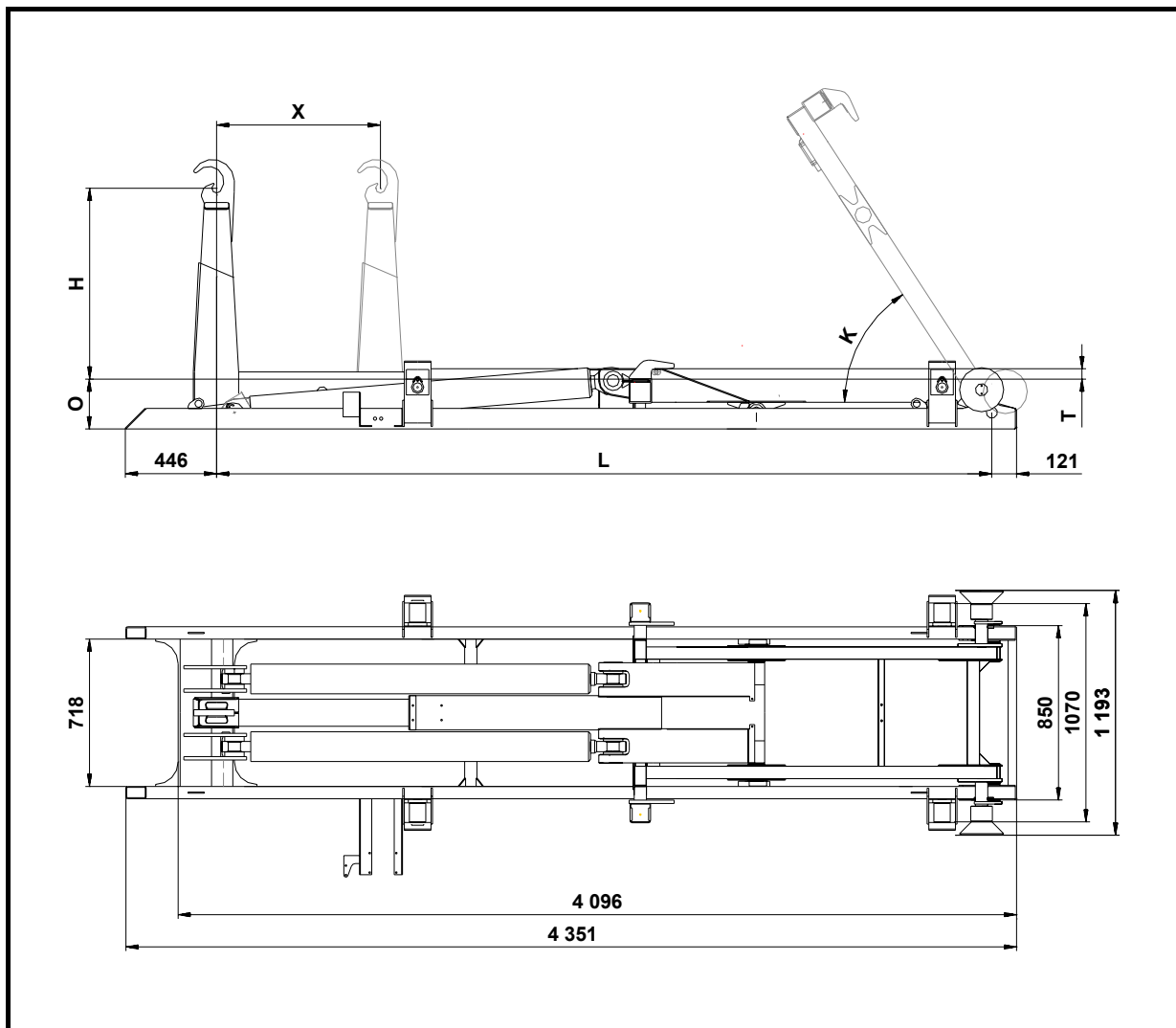


TYPE	H (mm)	X (mm)	L (mm)	O (mm)	K (°)	T (mm)	WEIGHT (kg)	MIN./MAX. CONTAINERLENGTH (mm)
08-37-S-CHEM	930	800	3 787	243	57	50	1 020	Type N : 3 990 Type L : 4 447

H = Hookheight
Ch = Chassisheight

All prices are valid only ex works Hoogeveen, The Netherlands, excluding applicable tax and packing. Option prices are valid only with purchase of new container systems. Some options may be incompatible with certain types of container systems or trucks. All prices, measurements, weights, capacities, etc. as described in our documentation are not binding for delivery and subject to change without notice. Price arrangements or technical information stated verbally shall not be binding. Only written quotations and written order confirmations, signed by an authorized person shall be endorsed as binding. With this pricelist all previous pricelists are ineffectual. All transactions and all contracts concluded with us are subject to the general conditions of delivery and payment (Hyva terms and conditions).

Capacity 80 kN (-S) H=1 000 mm Ch=900 mm

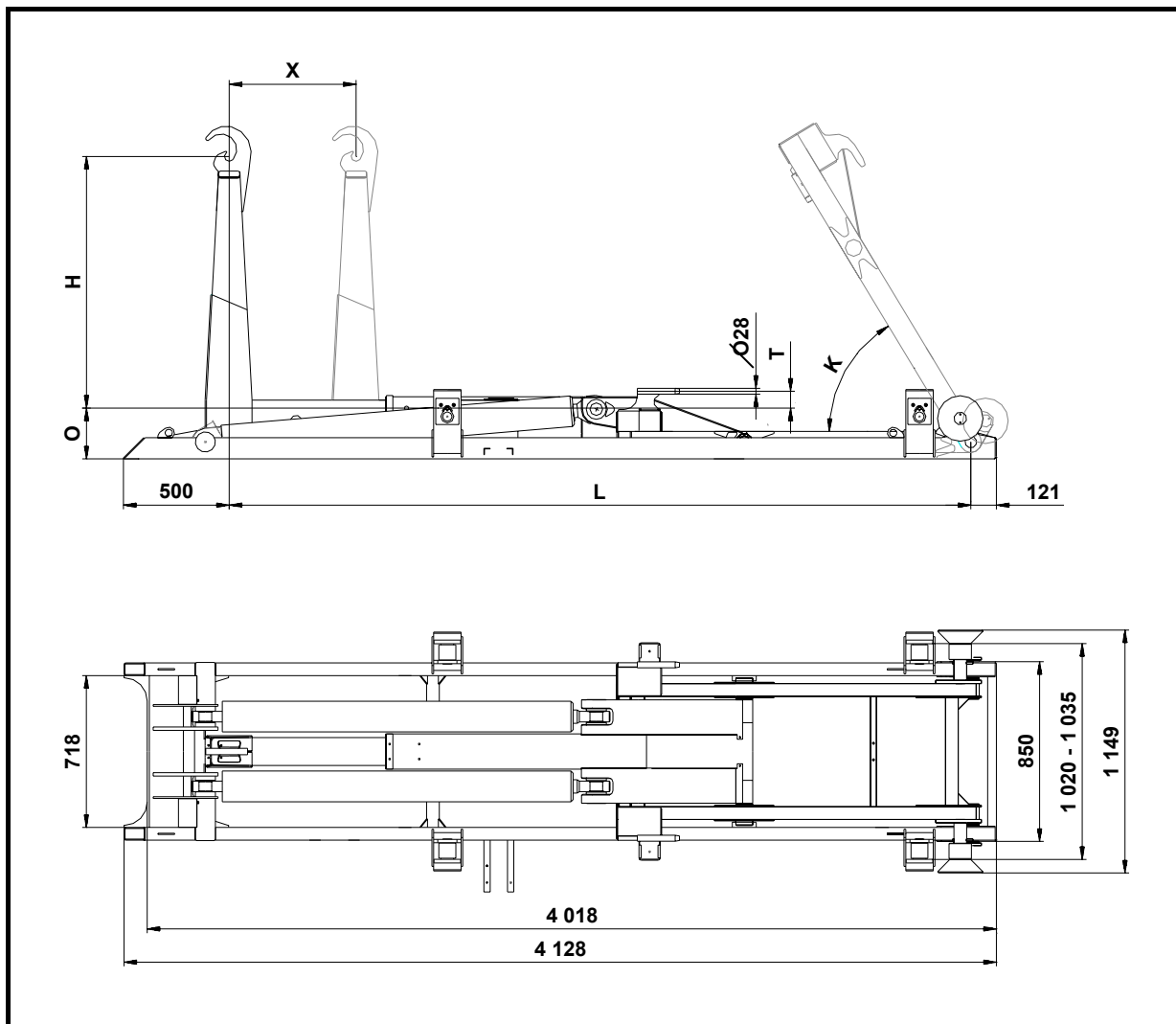


TYPE	H (mm)	X (mm)	L (mm)	O (mm)	K (°)	T (mm)	WEIGHT (kg)	MIN./MAX. CONTAINERLENGTH (mm)
08-37-S	1 000	800	3 787	243	57	50	1 020	3 750 – 4 750

H = Hookheight
Ch = Chassisheight

All prices are valid only ex works Hoogeveen, The Netherlands, excluding applicable tax and packing. Option prices are valid only with purchase of new container systems. Some options may be incompatible with certain types of container systems or trucks. All prices, measurements, weights, capacities, etc. as described in our documentation are not binding for delivery and subject to change without notice. Price arrangements or technical information stated verbally shall not be binding. Only written quotations and written order confirmations, signed by an authorized person shall be endorsed as binding. With this pricelist all previous pricelists are ineffectual. All transactions and all contracts concluded with us are subject to the general conditions of delivery and payment (Hyva terms and conditions).

Capacity 80 kN (-S) H=1 190 mm Ch=900 mm



TYPE	H (mm)	X (mm)	L (mm)	O (mm)	K (°)	T (mm)	WEIGHT (kg)	MIN./MAX. CONTAINERLENGTH (mm)
08-34-S	1 190	600	3 509	243	59	80 (Ø28)	1 020	PZK-7 : 3 610 PZK-9 : 4 240

H = Hookheight
Ch = Chassisheight

All prices are valid only ex works Hoogeveen, The Netherlands, excluding applicable tax and packing. Option prices are valid only with purchase of new container systems. Some options may be incompatible with certain types of container systems or trucks. All prices, measurements, weights, capacities, etc. as described in our documentation are not binding for delivery and subject to change without notice. Price arrangements or technical information stated verbally shall not be binding. Only written quotations and written order confirmations, signed by an authorized person shall be endorsed as binding. With this pricelist all previous pricelists are ineffectual. All transactions and all contracts concluded with us are subject to the general conditions of delivery and payment (Hyva terms and conditions).